

PRODUCT NUMBER

77315-YXX-XXLF

WHEN REQUIRED, ADD SUFFIX LETTER "LF"  
INDICATES THE PRODUCT IS RoHS  
COMPATIBLE, SEE NOTE 7

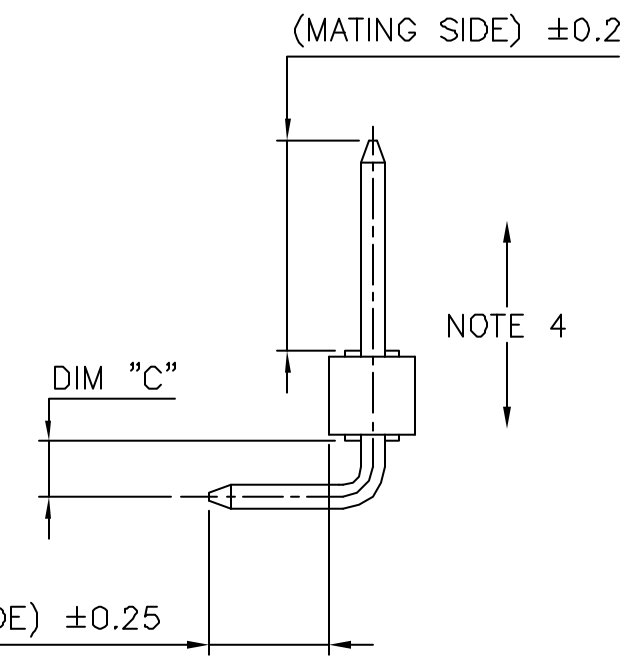
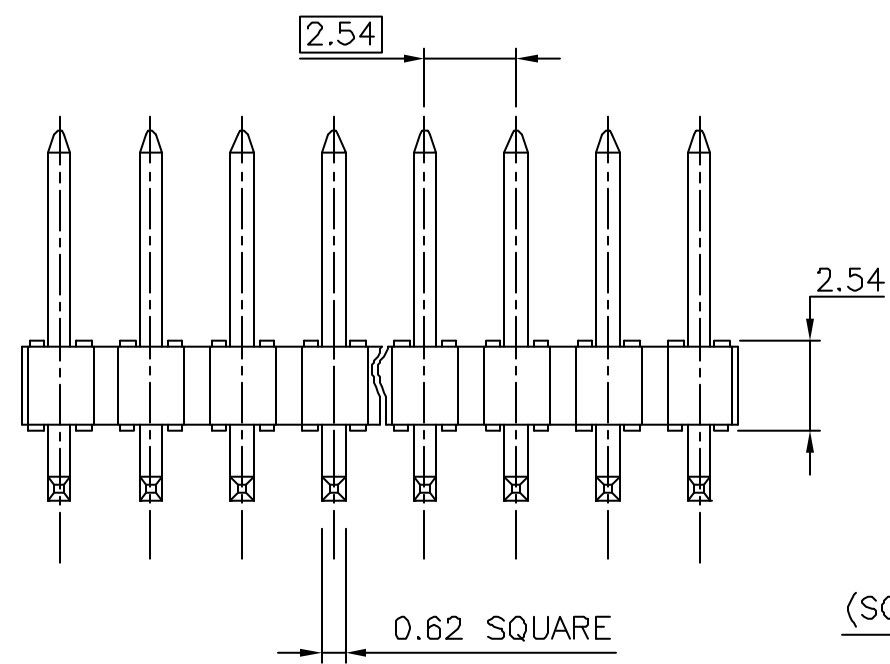
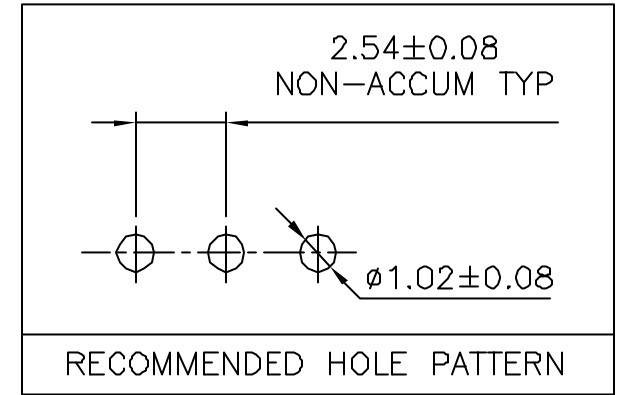
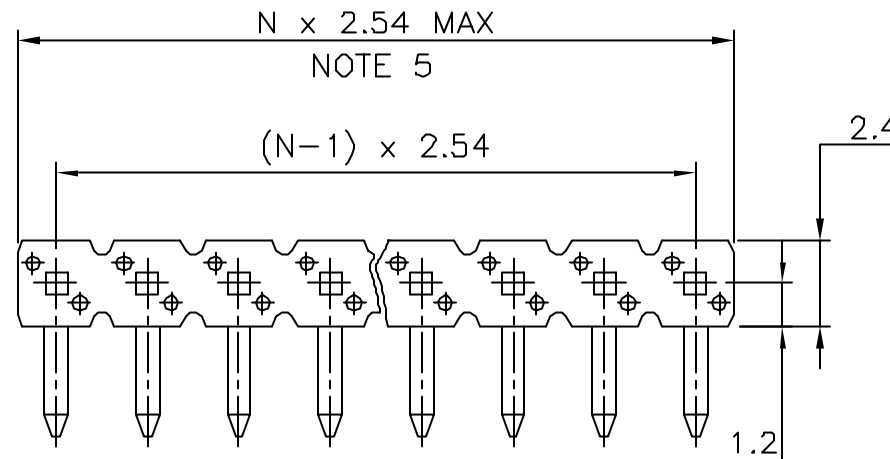
TOTAL NB OF POSITIONS 02 TO 36

PIN STYLE SEE SHEET 2

PLATING SEE SHEET 2

NOTES:

1. HOUSING MAT'L : HIGH TEMPERATURE THERMOPLASTIC. UL94V-0 COLOR: BLACK
2. PIN MATERIAL : PHOSPHOR BRONZE
3. PRODUCT PACKAGED IN POLY BAGS.
4. 9N MIN RETENTION IN EITHER DIRECTION
5. TO DETERMINE DIMENSIONS :  
N = NUMBER OF POSITIONS PER ROW  
EXAMPLE : 8 POS N x 2.54 = 20.32mm
6. UNDERPLATING : 1.27µm Ni MIN
7. RoHS COMPATIBLE PRODUCT SPECIFICATIONS
  - a - PLATING:
    - "LF" MEANS THE PRODUCT IS LEAD-FREE, 2µm MINIMUM MATTE TIN OVER 1.27µm MINIMUM NICKEL UNDERPLATE.
  - b - MANUFACTURING PROCESS COMPATIBILITY
    - THE HOUSING WILL WITHSTAND EXPOSURE TO 260°C ±5°C SOLDER BATH TEMPERATURE FOR 5 SECONDS IN A WAVE SOLDER APPLICATION WITH A 1.6mm MIN THICK CIRCUIT BOARD.
  - c - LABELING:
    - MEETS PACKAGING SPECS AS PER GS-14-920
  - d - LEGAL STATEMENT: SEE GS-22-008



|             |          |            |          |                                       |        |            |  |                  |  |
|-------------|----------|------------|----------|---------------------------------------|--------|------------|--|------------------|--|
| mat'l. code |          | surface    |          | tolerance                             |        | projection |  | product family   |  |
| SEE NOTES   |          | ISO 1302 ✓ |          | ISO 406 ISO 1101                      |        | mm         |  | BERGSTIK         |  |
| ltr         | ecn no   | dr         | date     | tolerances unless otherwise specified |        | mm         |  | title            |  |
| AC          | F08-0242 | LMU        | 08.11.03 | angles                                | linear | mm         |  | UNSHR.HEADER     |  |
| W           | F04-0167 | JOC        | 04.04.05 |                                       |        | scale 5:1  |  | RA SR TMT        |  |
| X           | F04-0362 | LMU        | 04.11.29 | dr                                    | D.LE   |            |  | dwg no           |  |
| Y           | F05-0221 | LMU        | 05.07.13 | enrg                                  | JM.C   |            |  | sheet 1 of 2     |  |
| AA          | F06-0194 | LMU        | 06.06.09 | chr                                   | JM.C   |            |  | 77315            |  |
| AB          | F08-0146 | RTR        | 08.03.31 | appd                                  | JF.N   |            |  | A3               |  |
| sheet       | revision | AC         | AA       |                                       |        |            |  | type             |  |
| index       | sheet    | 1          | 2        |                                       |        |            |  | CUSTOMER Drawing |  |



Copyright FCJ

1

2 3

4

5

6

CATALOGUE RANGE

| PLATING | PIN STYLE | MATING | SOLDER | DIM "C" |
|---------|-----------|--------|--------|---------|
| 1/4/8   | 01        | 5.72   | 2.57   | 1.5     |
| 1/4/8   | 18        | 5.84   | 3.05   | 1.5     |
| 1/4/8   | 24        | 6.75   | 2.85   | 1.5     |

PLATING

1 = 0.76µm GOLD/GXT ON CONTACT AREA  
3.81µm TIN-LEAD ON TAIL

4 = 3.81µm TIN-LEAD ON CONTACT AREA  
AND ON TAIL

8 = 0.38µm GOLD/GXT ON CONTACT AREA  
3.81µm TIN-LEAD ON TAIL

- WHEN "LF" IS REQUIRED, 2µm MATTE  
TIN OVER 1.27µm MIN NICKEL IS  
PROVIDED INSTEAD OF TIN-LEAD

APPLICATION SPECIFIC

| PLATING | PIN STYLE | MATING | SOLDER | DIM "C" |
|---------|-----------|--------|--------|---------|
| 1/4/8   | 02        | 5.72   | 5.11   | 1.5     |
| 1/4/8   | 07        | 5.72   | 5.11   | 3.9     |
| 1/4/8   | 13        | 5.72   | 3.45   | 1.5     |
| 1/4/8   | 22        | 11.71  | 3.2    | 1.5     |
| 1/4/8   | 25        | 8.07   | 3.05   | 1.5     |
| 1/4/8   | 26        | 8.2    | 12.6   | 1.5     |
| 1/4/8   | 27        | 5      | 3.9    | 1.5     |
| 1/4/8   | 28        | 3.1    | 3.1    | 1.5     |

PLATING

1 = 0.76µm GOLD/GXT ON CONTACT AREA  
3.81µm TIN-LEAD ON TAIL

4 = 3.81µm TIN-LEAD ON CONTACT AREA  
AND ON TAIL

8 = 0.38µm GOLD/GXT ON CONTACT AREA  
3.81µm TIN-LEAD ON TAIL

- WHEN "LF" IS REQUIRED, 2µm MATTE  
TIN OVER 1.27µm MIN NICKEL IS  
PROVIDED INSTEAD OF TIN-LEAD

A

A

B

B

C

C

D

D



Copyright FCI

|             |          |                |          |                                       |        |            |  |                           |  |
|-------------|----------|----------------|----------|---------------------------------------|--------|------------|--|---------------------------|--|
| mat'l. code |          | surface        |          | tolerance                             |        | projection |  | product family            |  |
| SEE NOTES   |          | ISO 1302       |          | ISO 406 ISO 1101                      |        |            |  | BERGSTIK                  |  |
| Ltr         | ecn no   | dr             | date     | tolerances unless otherwise specified |        | mm         |  | title                     |  |
| U           | F20563   | JCO            | 02.10.16 | angles                                | linear | x ±0.3     |  | UNSHR.HEADER<br>RA SR TMT |  |
| V           | F04-0362 | LMU            | 04.11.29 |                                       |        | .XX ±0.15  |  |                           |  |
| W           | F05-0221 | LMU            | 05.07.13 |                                       |        | .XXX ±0.05 |  |                           |  |
| X           | F06-0194 | LMU            | 06.06.09 | dr                                    | D.LE   | 01.01.24   |  | scale 5:1                 |  |
| Y           | F08-0148 | RTR            | 08.03.31 | enr                                   | JM.C   | 01.01.24   |  | dwg no                    |  |
| AA          | F08-0242 | LMU            | 08.11.03 | chr                                   | JM.C   | 01.01.24   |  | sheet 2 of 2              |  |
|             |          |                |          | appd                                  | JF.N   | 01.01.24   |  | size                      |  |
| sheet index |          | revision sheet |          |                                       |        |            |  | 77315                     |  |
|             |          |                |          |                                       |        |            |  | A3                        |  |
|             |          |                |          |                                       |        |            |  | type CUSTOMER Drawing     |  |